

# FPS

Versajet



Franklin Electric

## The most versatile jet pump the market has ever seen!

Built for easy customization, just one VersaJet covers a variety of performance needs. With our patent pending nozzle replacement system and a small Allen wrench (included), the internal nozzle can be replaced with any of the three nozzles supplied to achieve the exact performance needed.

Each model can be configured for:

- Standard performance
- High pressure
- High flow

Designed and manufactured with durable materials, VersaJet delivers the quality, reliability, and performance you expect from Franklin Electric products.



### High Quality Materials of Construction:

- Impeller with stainless steel insert, diffuser, jet nozzle and venturi are all molded with Noryl®\*. Noryl® thermoplastic is a proven dependable material known for its properties to increase efficiency and hydraulic performance.
- Heavy-duty cast iron case ensures optimum durability and long life.
- Ceramic mechanical shaft seal allows positive protection against leaking along the motor shaft.
- Floating stainless steel eye seal for maximum performance and efficiency.
- Powered by a high quality, industry proven, UL778 approved indoor/outdoor motors from A.O. Smith.

\* Noryl® is a Registered Trademark of G.E.



Revolutionary Patent Pending  
**"Quick Change" Jet Nozzle**  
 Replacement System

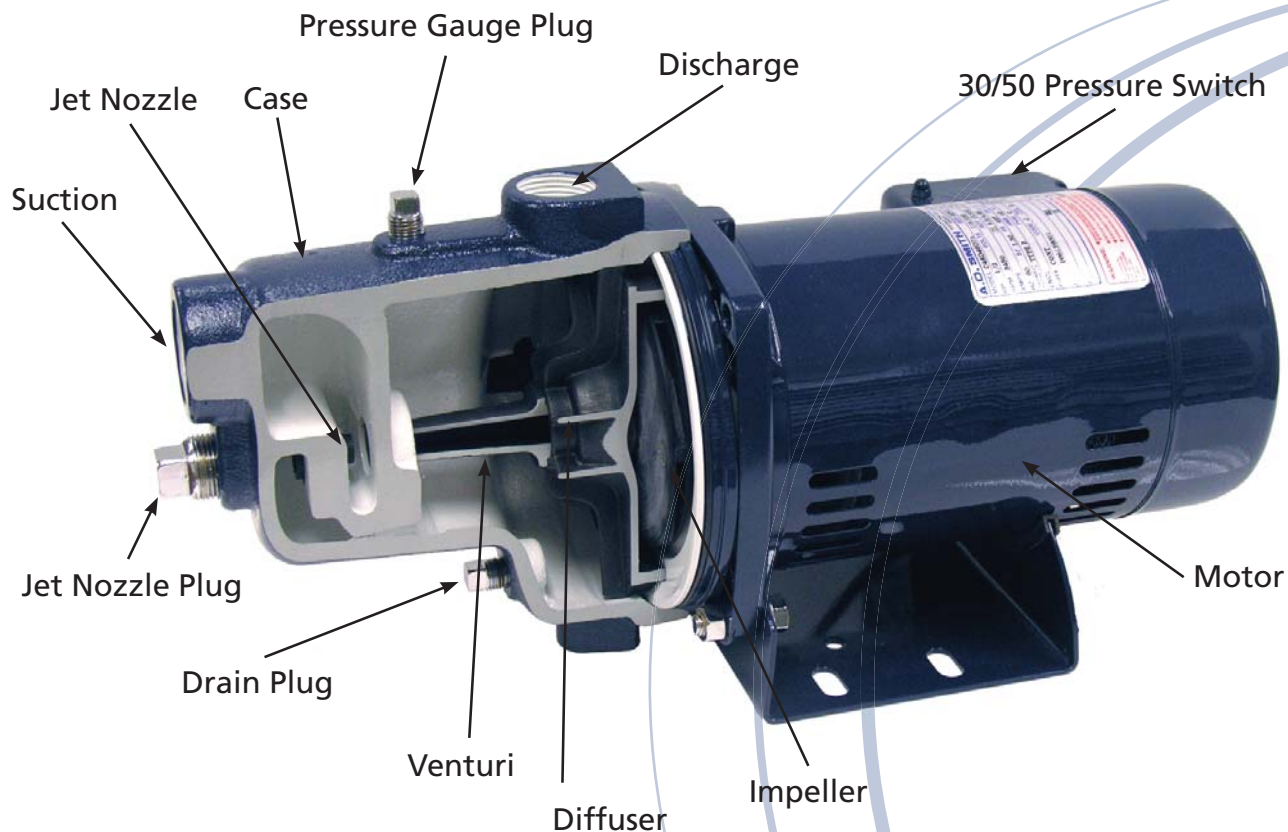
### Ordering Information

Model No.	HP	Discharge/Suction	Voltage	Pump Unit	
				Order No.	Wt.
FVJ05CI	1/2	1" x 1-1/4"	115/230	91180005	31
FVJ07CI	3/4	1" x 1-1/4"	115/230	91180007	34
FVJ1CI	1	1" x 1-1/4"	115/230	91180010	51
FVJ15CI	1.5	1" x 1-1/4"	115/230	91180015	56

# Jet Pumps

VersaJet

FPS



## Ease of installation for less time at the jobsite

- Revolutionary Patent Pending "Quick-Change" jet nozzle replacement system allows easy customization of the pump. Performance can be changed quickly from a high pressure to a high flow set-up without removing the plumbing or opening the case.
- Dual voltage motor can be set to run at either 115V or 230V.
- Pressure gauge port supplied for easy addition of optional pressure gauge.
- Pressure switch is installed and set at 30/50 PSI.
- Built-in drain plug for easy winterizing and servicing.
- Handles water temperatures up to 120 °F and shut-off pressures up to 90 PSI.
- 1" FNPT discharge, 1-1/4" FNPT suction.
- UL778 approved for indoor or outdoor use.



## Performance Data

VJ 1" Discharge 1.25" Suction			Discharge Pressure - PSI						Shut-Off Pressure PSI
Model	Nozzle	Total Suction Lift ft	10	20	30	40	50	60	
FVJ05CI	Nozzle B (Standard)	5	10.8	10.5	10.1	8.5	4.9	2.1	70
		10	9.4	9.1	8.7	7.5	4.1	1.6	
		15	8.0	7.7	7.4	6.5	3.4	1.1	
		20	6.2	6.0	5.7	5.3	2.6	0.5	
	Nozzle C (High Pressure)	25	4.4	4.3	4.1	4.0	1.8	-	86
		5	9.8	8.9	8.3	7.6	6.3	4.0	
		10	8.3	7.5	7.1	6.6	5.7	3.5	
		15	6.8	6.2	5.9	5.7	5.1	3.0	
	Nozzle A (High Flow)	20	5.3	5.0	4.8	4.6	4.3	2.6	47
		25	3.8	3.8	3.7	3.6	3.5	2.2	
		5	12.8	12.5	12.1	5.2	-	-	
		10	11.4	11.1	10.8	3.6	-	-	
FVJ07CI	Nozzle C (Standard)	15	10.0	9.8	9.6	1.9	-	-	70
		20	8.0	7.7	6.8	1.0	-	-	
		25	6.0	5.7	4.1	-	-	-	
		5	16.3	15.6	15.1	14.1	9.0	3.8	
	Nozzle D (High Pressure)	10	14.2	13.6	13.1	12.5	7.8	2.9	73
		15	12.1	11.6	11.2	10.8	6.5	2.0	
		20	9.5	9.1	8.9	8.7	5.0	1.0	
		25	7.0	6.7	6.7	6.6	3.5	-	
	Nozzle A (High Flow)	5	15.8	15.2	14.7	14.1	9.6	4.8	47
		10	13.9	13.2	12.8	12.4	8.5	3.9	
		15	11.9	11.1	10.8	10.6	7.5	3.0	
		20	9.2	8.8	8.6	8.5	6.2	1.8	
FVJ1CI	Nozzle B (Standard)	25	6.5	6.5	6.4	6.4	4.8	0.6	64
		5	18.9	18.7	18.4	11.6	-	-	
		10	16.8	16.6	16.3	8.0	-	-	
		15	14.8	14.5	14.2	4.4	-	-	
	Nozzle C (High Pressure)	20	11.8	11.6	11.2	2.2	-	-	71
		25	8.8	8.7	8.1	-	-	-	
		5	21.5	21.0	20.7	20.4	12.8	3.9	
		10	19.2	18.8	18.5	18.2	11.3	2.0	
	Nozzle A (High Flow)	15	16.9	16.6	16.3	16.0	9.7	-	54
		20	13.6	13.4	13.2	13.0	7.4	-	
		25	10.4	10.3	10.1	10.0	5.0	-	
		5	20.4	19.8	19.4	19.1	14.6	7.7	
FVJ15CI	Nozzle B (Standard)	10	18.1	17.6	17.3	17.1	13.6	6.5	66
		15	15.9	15.4	15.2	15.0	12.6	5.2	
		20	12.7	12.4	12.2	12.1	10.8	3.3	
		25	9.5	9.3	9.2	9.1	9.0	1.4	
	Nozzle C (High Pressure)	5	23.3	23.0	22.7	20.2	7.6	-	72
		10	20.7	20.3	20.0	17.4	3.8	-	
		15	18.1	17.7	17.3	14.6	-	-	
		20	14.8	14.5	14.2	10.8	-	-	
	Nozzle A (High Flow)	25	11.5	11.3	11.1	7.0	-	-	59
		5	29.0	28.6	28.2	27.8	24.0	11.6	
		10	25.5	25.0	24.8	24.5	21.2	7.7	
		15	21.9	21.5	21.3	21.1	18.5	3.8	
Nozzle C (High Pressure)	20	17.6	17.2	16.9	16.7	13.8	1.9	72	
	25	13.2	12.9	12.6	12.3	9.2	-		
	5	28.7	28.2	27.9	27.6	26.8	15.5		
	10	25.3	24.8	24.4	24.0	23.4	13.3		
Nozzle A (High Flow)	15	21.9	21.4	20.9	20.5	20.1	11.2	59	
	20	17.4	17.1	16.8	16.6	16.3	7.0		
	25	13.0	12.9	12.7	12.6	12.5	2.8		
	5	30.3	29.9	29.5	29.2	19.5	-		
Nozzle A (High Flow)	10	26.9	26.6	26.2	25.9	15.9	-	59	
	15	23.6	23.3	22.9	22.6	12.4	-		
	20	19.0	18.8	18.5	17.9	6.2	-		
	25	14.5	14.3	14.1	13.2	-	-		



**Franklin Electric**

400 East Spring Street, Bluffton, IN 46714

Tel: 260.824.2900 • Fax: 260.824.2909

[www.franklin-electric.com](http://www.franklin-electric.com)