



Taking Versatility to a Deeper Level

Now Available as a PAK

Although no single pump can meet all applications, the Convertible VersaJet from Franklin Electric comes close. Each model can be configured with a variety of pressure and flow choices in both shallow and deep set installations. In addition, four different suction flange options make this pump the contractor's choice for those tough replacement jobs.

Features:

- Heavy-duty cast-iron case ensures optimum durability and long life
- Modular suction flange system to retrofit current installations without disturbing the existing plumbing
- Thermoplastic impeller and diffuser precision molded for high efficiency and dependability
- Carbon/Ceramic mechanical shaft seal ensures leakproof fit and continuous water lubrication
- Adjustable pressure switch is factory set at 30/50 psi
- Powered by high quality, industry proven, UL778 approved indoor/outdoor motor from A.O. Smith
- Dual voltage motor can be set to run at either 115 V or 230 V
- Built in drain plug for easy winterization and servicing
- Connections:
 - 1.25" FNPT Suction
 - 1" FNPT Discharge
 - 1" FNPT Drive Line



Shallow Well Performance

CVJ SERIES			DISCHARGE PRESSURE - PSI						SHUT-OFF PRESSURE PSI
HP	INJECTOR KIT	SUCTION LIFT FT.	30	40	50	60	70	80	
			GALLONS PER MINUTE						
1/2	SW1 96151001 (PAK includes SW2 injector)	5	11.5	7.0	3.9				61
		10	10.2	6.4	3.2				59
		15	9.1	5.8	2.4				57
		20	8.0	5.1	1.7				55
		25	6.5	4.4	0.8				53
	SW2 96151002 (PAK includes SW2 injector)	5	10.6	6.6	4.6	2.4			71
		10	9.3	6.2	4.1	1.9			69
		15	8.2	5.7	3.7	1.4			67
		20	6.8	5.2	3.1	1.0			65
		25	5.2	4.8	2.6	0.6			63
	SW3 96151003 (PAK includes SW2 injector)	5	8.0	5.8	4.6	3.2	1.9	0.8	88
		10	6.9	5.5	4.3	2.9	1.7	0.6	86
		15	5.9	5.2	4.0	2.7	1.4		84
		20		4.7	3.6	2.4	1.2		82
		25		3.7	3.3	2.1	1.0		80
3/4	SW5 96151005 (PAK includes SW6 injector)	5							
		10	16.7	14.0	8.2	2.8			65
		15		12.7	6.8	1.6			63
		20		11.3	5.7				61
		25		8.8	4.6				59
	SW6 96151006 (PAK includes SW6 injector)	5	11.8	11.8	8.6	5.3	2.9	0.8	85
		10		10.2	7.8	4.7	2.5		83
		15		8.7	7.0	4.2	2.2		81
		20		7.1	6.2	3.8	1.7		79
		25			5.5	3.4	1.2		77
	SW7 96151007 (PAK includes SW6 injector)	5		8.2	7.9	5.7	3.8	2.4	101
		10		7.1	6.9	5.3	3.6	2.2	99
		15			6.1	4.8	3.3	1.9	97
		20			5.1	4.4	3.1	1.7	95
		25			4.1	4.0	2.7	1.4	93

Note: 1. Pressure switch preset to 30-50 psi.
 2. Injector kits are purchased separately.
 3. Maximum pump working pressure is 150 psi.

Shallow Well Performance

CVJ SERIES			DISCHARGE PRESSURE - PSI						SHUT-OFF PRESSURE PSI
HP	INJECTOR KIT	SUCTION LIFT FT.	30	40	50	60	70	80	
			GALLONS PER MINUTE						
1	SW4 96151004 (PAK includes SW5 injector)	5	21.4	18.6	11.8	5.2			68
		10	18.8	17.1	10.4	3.8			66
		15	16.2	15.4	8.9	2.4			64
		20	13.4	13.4	7.5	0.8			61
		25	10.5	10.5	6.2				59
	SW5 96151005 (PAK includes SW5 injector)	5	18.7	18.5	13.0	7.7	2.8		76
		10		16.4	11.8	6.6	1.6		73
		15		14.2	10.7	5.4			71
		20		11.6	9.5	4.5			69
		25		9.0	8.4	3.6			67
	SW6 96151006 (PAK includes SW5 injector)	5		11.7	11.1	7.8	5.2	3.1	98
		10		10.3	10.2	7.2	4.8	2.8	96
		15			8.8	6.7	4.4	2.5	94
		20			7.3	6.2	4.0	2.1	92
		25			5.7	5.6	3.6	1.7	90
1-1/2	SW4 96151004 (PAK includes SW5 injector)	5		21.3	20.5	13.5	6.6		81
		10		18.7	18.3	11.8	5.2		78
		15		16.0	15.9	10.1	3.8		76
		20		13.3	13.3	8.6	2.0		73
		25		10.5	10.5				71
	SW5 96151005 (PAK includes SW5 injector)	5			18.3	15.2	9.5	4.4	89
		10			16.1	13.8	8.5	3.4	87
		15			13.9	12.4	7.4	2.3	85
		20			11.4	10.9	6.0	1.1	82
		25			8.8	8.8	4.7		80
	SW6 96151006 (PAK includes SW5 injector)	5			11.4	11.3	9.3	6.7	118
		10				10.1	8.6	6.2	116
		15				8.7	8.0	5.7	113
		20				7.2	7.1	5.3	111
		25					5.7	4.8	108

Note: 1. Pressure switch preset to 30-50 psi.
 2. Injector kits are purchased separately.
 3. Maximum pump working pressure is 150 psi.

Deep Well Performance

CVJ SERIES			DISCHARGE PRESSURE - PSI						SHUT-OFF PRESSURE PSI	
HP	INJECTOR KIT	SUCTION LIFT FT.	30	35	40	45	50	55		
			GALLONS PER MINUTE							
1/2	DW2 96152002 (PAK includes DW5 injector)	30	8.0	4.4	1.5				56	
		40	6.3	3.0					51	
		50	4.6	1.6					46	
		60	2.9						41	
		70	1.6						36	
	DW5 96152005 (PAK includes DW5 injector)	30	6.0	4.5	3.0	2.0	1.2		87	
		40	5.3	3.8	2.5	1.6	0.8		81	
		50	4.4	3.1	2.0	1.1			76	
		60	3.6	2.4	1.5	0.7			70	
		70	3.0	1.9	1.0				64	
		80	2.3	1.3	0.6				58	
		90	1.7	0.8					51	
	3/4	DW2 96152002 (PAK includes DW1 injector)	30	11.1	7.2	4.0	1.3			65
			40	9.3	5.7	2.7				60
50			7.4	4.2	1.5				55	
60			5.6	2.7					51	
70			4.1	1.3					45	
80			2.7						40	
90			1.2						35	
DW1 96152001 (PAK includes DW1 injector)		30		6.6	5.0	3.4	2.2	1.3	97	
		40	6.6	6.0	4.2	2.8	1.7	0.9	92	
		50	6.6	5.1	3.5	2.3	1.3		86	
		60	5.9	4.1	2.7	1.7	0.8		81	
		70	5.0	3.4	2.2	1.2			76	
		80	4.1	2.7	1.6	0.8			70	
		90	3.1	2.0	1.1				65	

Note: 1. Pressure switch preset to 30-50 psi.
 2. Injector kits are purchased separately.
 3. Maximum pump working pressure is 150 psi.

Deep Well Performance

CVJ SERIES			DISCHARGE PRESSURE - PSI						SHUT-OFF PRESSURE PSI
HP	INJECTOR KIT	SUCTION LIFT FT.	30	35	40	45	50	55	
			GALLONS PER MINUTE						
1	DW2 96152002 (PAK includes DW4 injector)	30	12.2	9.9	6.3	3.5	0.8		74
		40	11.4	8.2	4.9	2.2			69
		50	9.7	6.5	3.5	0.8			64
		60	7.9	4.8	2.1				59
		70	6.1	3.4	0.8				53
		80	4.3	2.0					48
		90	2.5	0.6					43
	DW4 96152004 (PAK includes DW4 injector)	30		7.9	5.9	4.1	2.7	1.4	94
		40	7.9	6.9	5.0	3.4	2.1	0.9	88
		50	7.5	5.8	4.1	2.6	1.4		83
		60	6.6	4.7	3.2	1.9	0.8		77
		70	5.5	3.9	2.5	1.3			71
		80	4.4	3.1	1.7	0.6			66
		90	3.3	2.3	1.0				60
1-1/2	DW3 96152003 (PAK includes DW2 injector)	30		16.5	9.8	3.5			67
		40		13.0	6.9	1.0			62
		50		9.4	4.1				57
		60		5.9	1.2				52
	DW2 96152002 (PAK includes DW2 injector)	30		12.2	10.3	7.0	4.1	1.5	87
		40		11.4	8.6	5.5	2.8		82
		50		9.7	6.9	4.0	1.4		76
		60		8.2	5.2	2.5			71
		70		6.6	3.8	1.3			66
		80		4.9	2.5				60
	DW4 96152004 (PAK includes DW2 injector)	30		7.9	7.8	6.3	4.8	3.3	111
		40		7.9	7.3	5.4	4.0	2.6	105
		50		7.8	6.3	4.6	3.2	2.0	99
		60		7.0	5.2	3.7	2.4	1.3	93
70			6.0	4.4	3.0	1.8	0.7	87	
80			5.1	3.6	2.3	1.2		82	
90			4.1	2.8	1.6	0.6		76	

Note: 1. Pressure switch preset to 30-50 psi.
 2. Injector kits are purchased separately.
 3. Maximum pump working pressure is 150 psi.

Ordering Information

HP	Model No.	Discharge x Suction	Voltage	Pump (without flange kit)	
				Order No.	Wt.
1/2	FCVJ05CI	1" x 1.25"	115/230	96130005	36.1
3/4	FCVJ07CI	1" x 1.25"	115/230	96130007	39.3
1	FCVJ10CI	1" x 1.25"	115/230	96130010	41.6
1-1/2	FCVJ15CI	1" x 1.25"	115/230	96130015	46.0

Note: 1. Order suction flange kit **A**, or shallow well kit **B**, or deep well kit **C** depending upon application.
 2. Minimum inside well diameter requirement of 4" for deep well injectors.
 3. Control valve required for deep well installations.

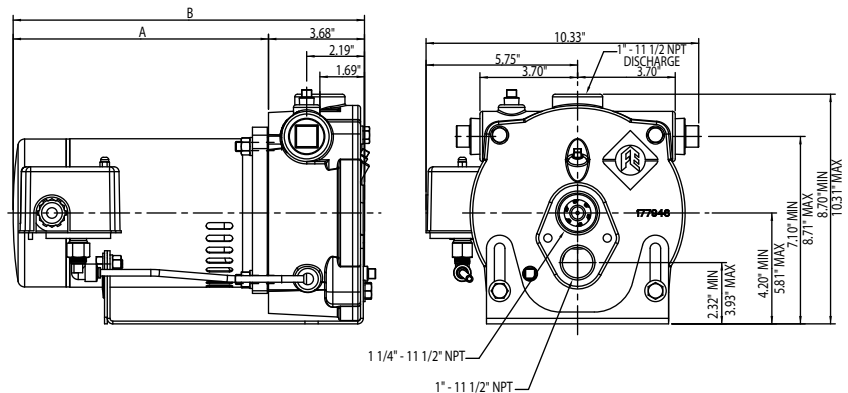
Convertible VersaJet PAK Ordering Information

Gain all the benefits of the Convertible VersaJet in an easy to order, easy to get started way. Each Convertible VersaJet PAK includes everything that is needed in one convenient package. The pump, faceplate, injector kit, and hardware are all included. Better yet, the pump included in the PAK still works with all the injectors and faceplates the standard Convertible VersaJet works with in case your needs ever change.

HP	Shallow Well		Deep Well		Discharge x Suction	Voltage	Wt.
	Model No.	Order No.	Model No.	Order No.			
1/2	FCVJ05CI-SW	96130005SW	FCVJ05CI-DW	96130005DW	1" x 1.25"	115/230	49
3/4	FCVJ07CI-SW	96130007SW	FCVJ07CI-DW	96130007DW	1" x 1.25"	115/230	52
1	FCVJ10CI-SW	96130010SW	FCVJ10CI-DW	96130010DW	1" x 1.25"	115/230	55
1-1/2	FCVJ15CI-SW	96130015SW	FCVJ15CI-DW	96130015DW	1" x 1.25"	115/230	59

Dimensions

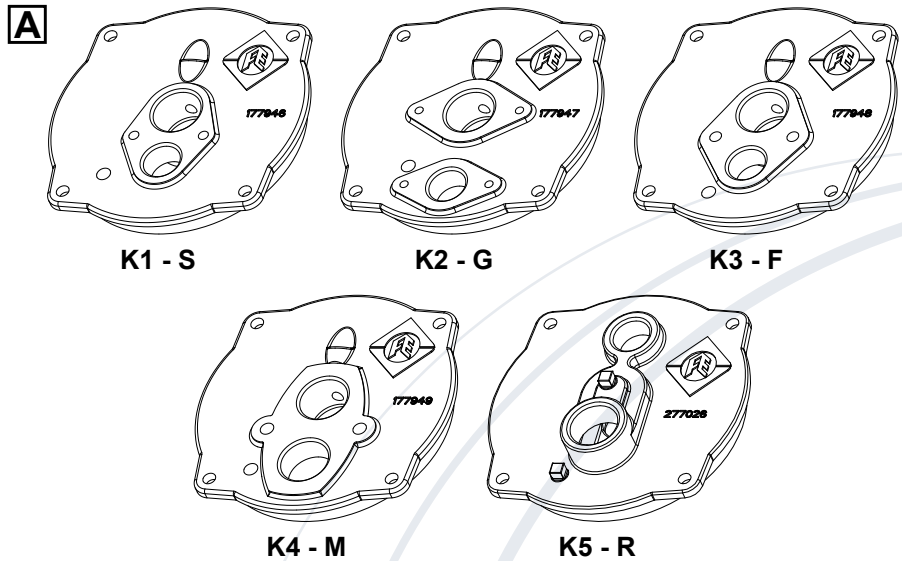
HP	A	B
1/2	9.63	13.31
3/4	10.38	14.06
1	11.00	13.68
1-1/2	11.88	15.56



Dimensional illustration shown with K1-S flange installed.

Suction Flange Kits (Modular Face Plates)

Model No.	Order No.	Wt.
K1 - S	96150946	7.8
K2 - G	96150947	8.1
K3 - F	96150948	8.0
K4 - M	96150949	8.4
K5 - R*	96150952	9.0



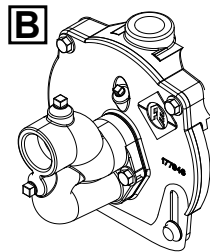
Flange kits are designed for use in deep set retrofit application where pump is being replaced but injector assembly is staying in the well.

*K5 - R suction flange is for deep well use only.

Contact FE customer service for competitive replacement identification.

Shallow Well Injector Kits

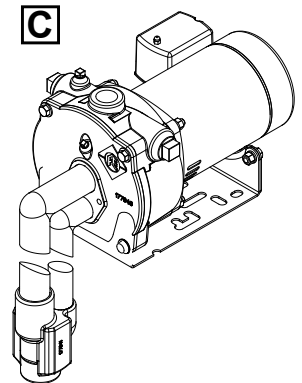
Model No.	Order No.	Wt.
SW1	96151001	11.7
SW2	96151002	11.7
SW3	96151003	11.7
SW4	96151004	11.7
SW5	96151005	11.7
SW6	96151006	11.7
SW7	96151007	11.7



Shallow well kit includes shallow well injector assembly, K1-S suction flange and hardware.

Deep Well Injector Kits

Model No.	Order No.	Wt.
DW1	96152001	12.6
DW2	96152002	12.6
DW3	96152003	12.6
DW4	96152004	12.6
DW5	96152005	12.6



Deep well kit includes deep well injector assembly, K1-S suction flange and hardware.

Control valve required for deep well installations.

Control Valve

Model No.	Order No.	Wt.
DW-CV	96150951	1.9



Franklin Electric

400 East Spring St., Bluffton, IN 46714
Tel: 260.824.2900 • Fax: 260.824.290